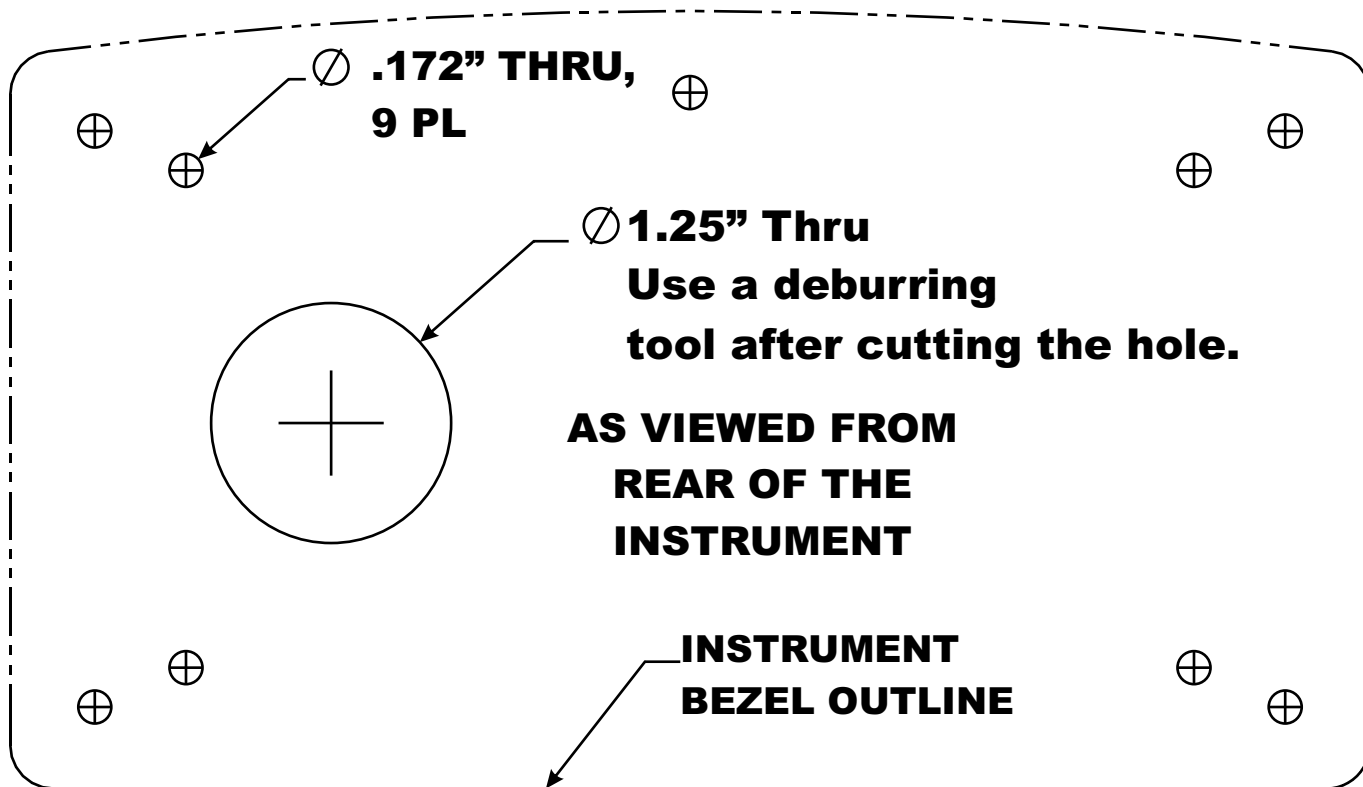
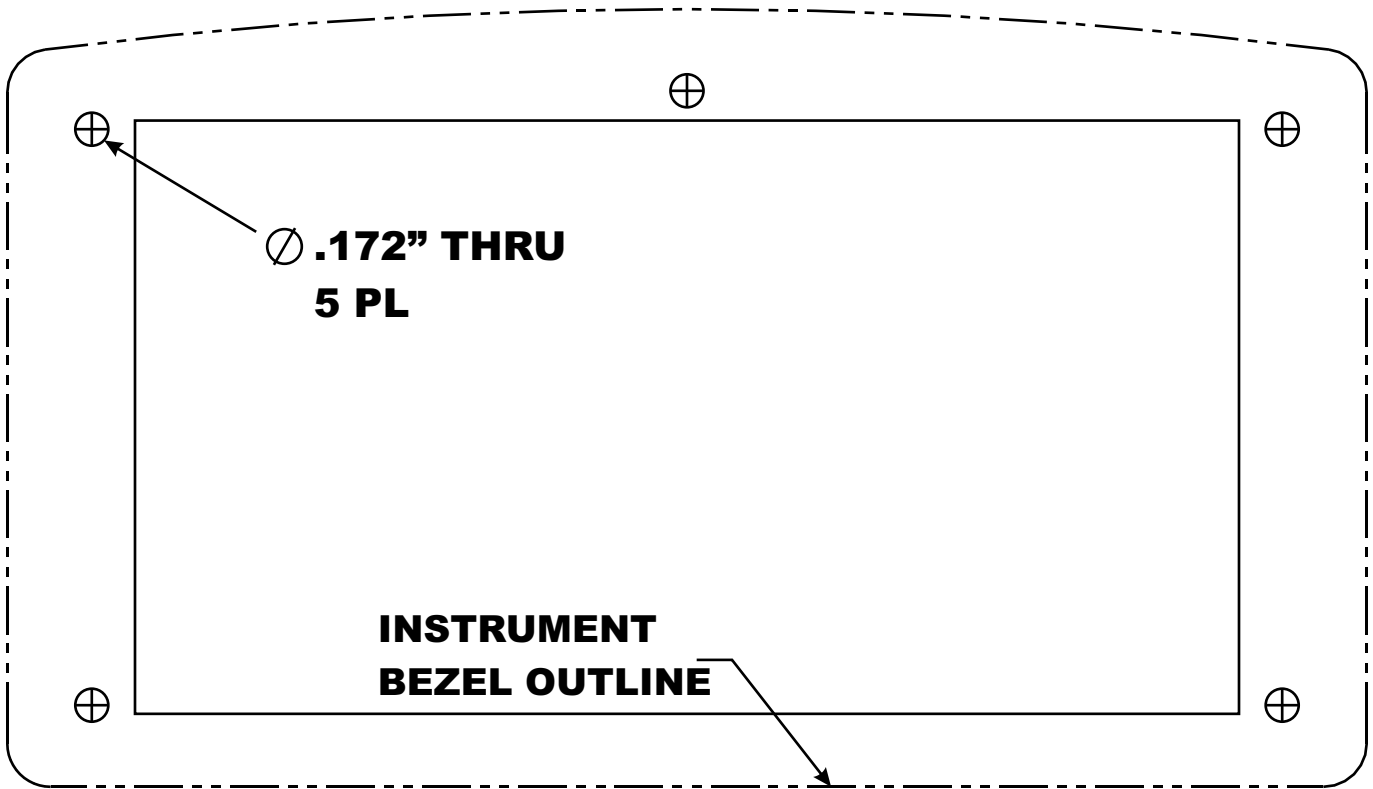


**HI 4000 Series Panel Mount Cutout Template
Part # 0578-0071-01**





**HI 4000 Series Retrofit Template
Part # 0578-0071-01**